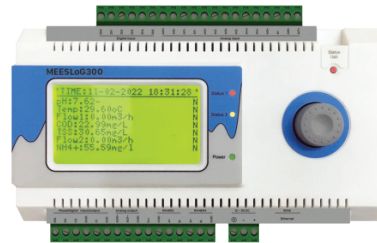


# M300M-Q-E-L

Data logger with alarm management and remote control  
& Cloud support for Ethernet

## - Features

- High Performance Cortex M7 32-bit ARM
- Data Logger on SD card
- Real-time data monitoring
- Internal webpage for online monitoring
- Protocols: Modbus RTU & MQTT
- 8 Analog inputs (4-20 mA, 0-10 V)
- 6 Digital inputs
- 2 Digital outputs
- Data transmission for Ethernet
- Mounting: Din-rail



MQTT  
Protocol

Modbus  
RTU



RJ-45



## - Introduction

M300M-Q-E-L is an IoT Gateway product line built and developed by Saigon Technolog. It is capable of connecting many field devices (sensors, pumps, fans...) by input and output such as Analog (4-20 mA, 0-10 V), Digital, RS-485, RJ-45 and transmit data to cloud storage and Web server over Ethernet. Allows users to manage alarms and remote control in real time using MQTT protocol.

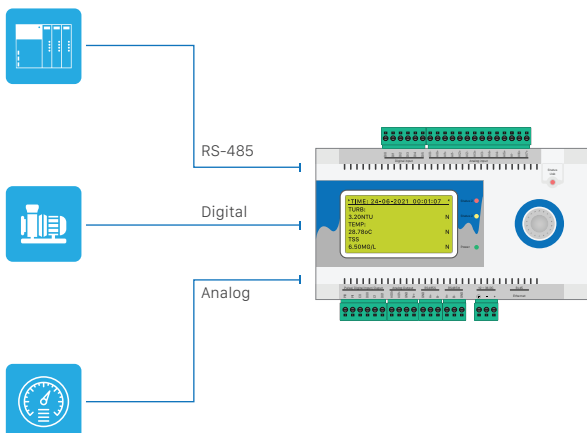
The product features a compact, industry-standard design that is rugged enough to withstand the harsh conditions of industrial environments. The installation has been standardized, neat and fast. The operation configuration of the system is simple, flexible, can be done locally or remotely.

M300M-Q-E-L supports 256MB Flash memory, micro SD card slot expandable up to 8GB, multi-tasking real-time operating system. The combined use of these data managers with the IoT Platform solution produced by SGTEC will complete the data management on Web / App Mobile anytime, anywhere via phone, Ipad, Laptop...

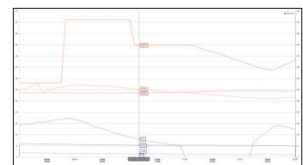
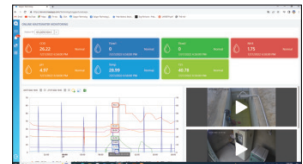
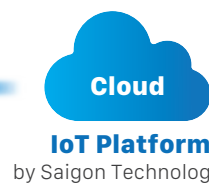
## - Firmware

<p>Data collection</p> <ul style="list-style-type: none"> <li>• Collect data from Analog and Digital inputs</li> <li>• Collect data from RS485 port</li> <li>• Acts as a Master device and collects data from one or more other Modbus RTU devices</li> </ul>	<p>Data logging</p> <ul style="list-style-type: none"> <li>• Flash memory up to 256Mb</li> <li>• Features automation, control and remote monitoring</li> <li>• Function to get data from memory cards via USB port</li> </ul>
<p>Data communication</p> <ul style="list-style-type: none"> <li>• Data transmission over Ethernet (RJ-45)</li> <li>• Protocols: Modbus RTU &amp; MQTT</li> </ul>	<p>Configure Settings</p> <ul style="list-style-type: none"> <li>• By software via USB Serial Port (MEES Config by SG Technolog)</li> </ul>

## - Application Example



MQTT protocol  
Ethernet



### - Specifications

Control system	
MCU	Cortex M7 32-bit ARM
Power Supply	12...24 VDC
Protection Degree	IP20
USB port	Support 1 x Micro B
Memory	Chip Flash 256MB
Sd card	Support up to 8Gb
Communication	
Protocols	MQTT & Modbus RTU
Interfaces	<ul style="list-style-type: none"> <li>Support 2 x RS-485 (1 x RS-485 master: connect with 5 slave &amp; 1 x RJ-485 slave: send data)</li> <li>Support 1 x RJ-45: Transmissions data to the Cloud</li> </ul>
Analog input	
Channels	8
Type	Voltage: 0...10 V Current: 0...20 mA, 4...20 mA
Resolution	24-bit
Digital/ Pulse input	
Channels	6
Digital output	
Channels	2
General	
Dimensions (LxWxH)	177mm x 97mm x 55mm
Operating Temp.	-5...45°C
Mounting	Din-rail

### - Dimensions

- Drawings and dimensions (all dimensions in millimeters)

